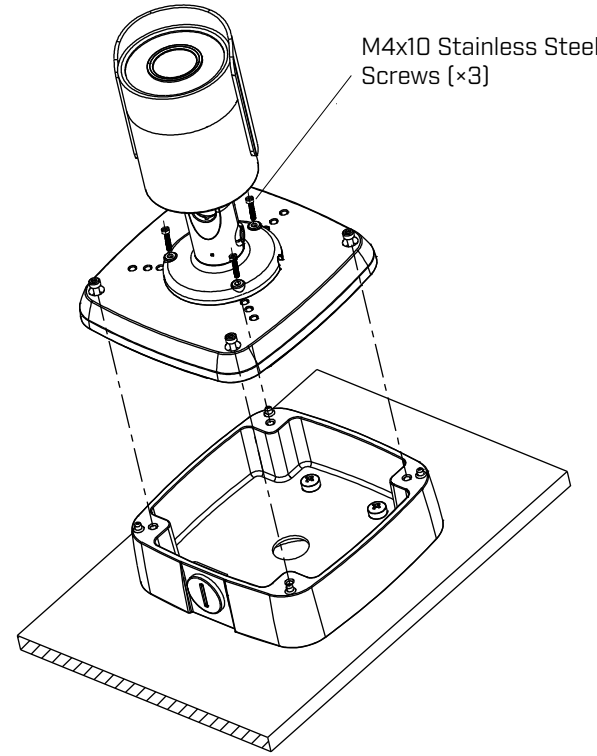
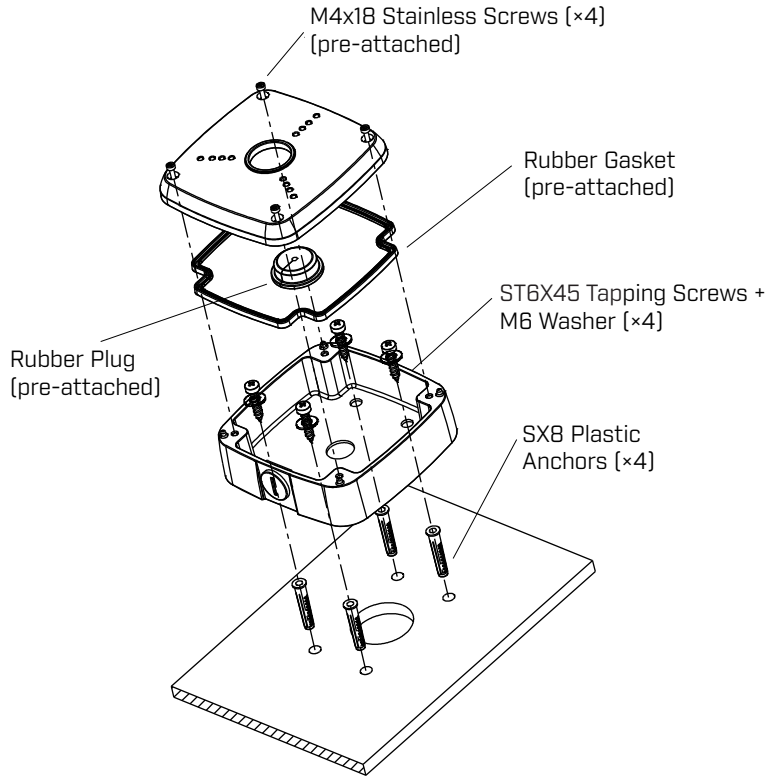


ACJNCD3B / ACJNCD3BKB

IP66 Outdoor Junction Box



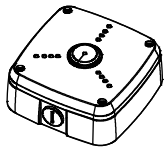
INSTALLATION



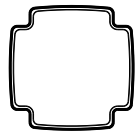
Make sure to install in an area that can support the total weight of the camera and accessories.

See lorex.com/compatibility for the latest compatibility list.

PACKAGE CONTENTS



Junction Box



Rubber Gasket



Rubber Plug



Waterproof Connector



SX8 Plastic Anchors (x4)



ST6X45 Tapping Screws (x4)



M6 Washers (x4)

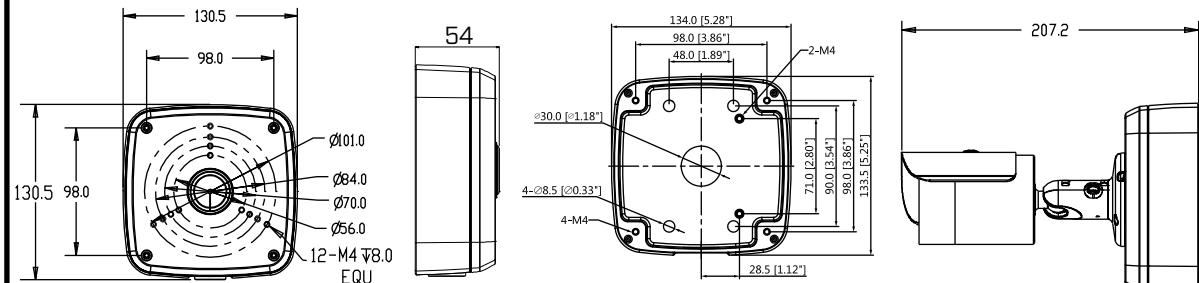


M4x10 Stainless Steel Screws (x4)



Allen Key S3.0

DIMENSIONS (UNITS: mm)



If using conduit, you must use thread seal tape to ensure a proper seal.

Weight: 0.6kg / 1.3lbs