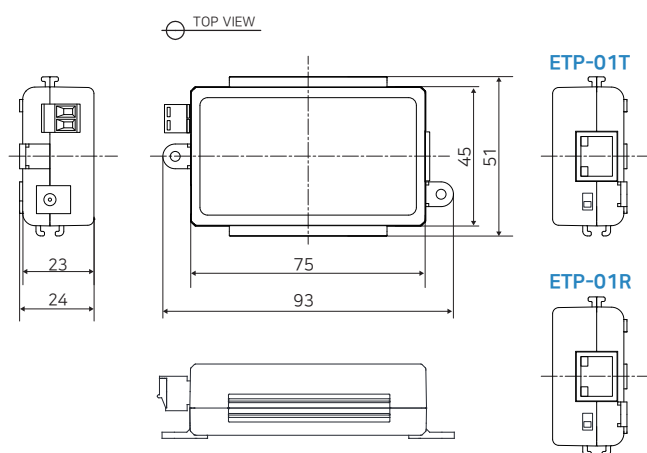


ETP-01T/R

Single Port Ethernet over 2-Wire Transmitter / Receiver (with multicast support)



Dimension



Specification

Model		ETP-01T	ETP-01R
Interface	2-Wire	1 x 2-Pin Terminal Block–Ethernet over 2-Wire cable	
	Ethernet	1 x RJ45 - 100 Base-T	
Transmission Rate		100Mbps Full Duplex (100Mbps between Intercoax devices)	
Transmission Distance	Ethernet	Up to 300m (1 Pair of Cat.5e)	
	PoE (PoC)	Up to 300m (1 Pair of Cat.5e / 7W Camera)	
LED Indication	Ethernet	1 x Link (Yellow) / 1 x ACT (Green)	
Power	Input	T-Linx or DC48V~57V	PoE Switch or DC48V~57V
	PoE Output	IEEE802.3af (PoE), IEEE802.3at (PoE+), Extra PoE up to 60W with 57V Power Adaptor	PoE Not Supported PoC Only
Mechanical	Dimension	93(L) x 51(W) x 24(H)mm	
	Weight	52 g	
Environment	Operating Temp	-20 ~ 60°C	
	Storage Temp	-30 ~ 80°C	
	Relative Humidity	10% ~ 90%	
Compliance	Certification	FCC, CE, KC, RoHS	
	Surge Protection	IEC 61000-4-5 4kV(1.2 / 50us), 2kA(8 / 20us)	
Optional Accessories		57VDC / 1.2A External Power Supply	

Overview

ETP-01 Series are High-Speed, long distance Ethernet & PoE extender that makes possible to transmit the Ethernet signal and PoE up to 300m through single pair of twisted wires.

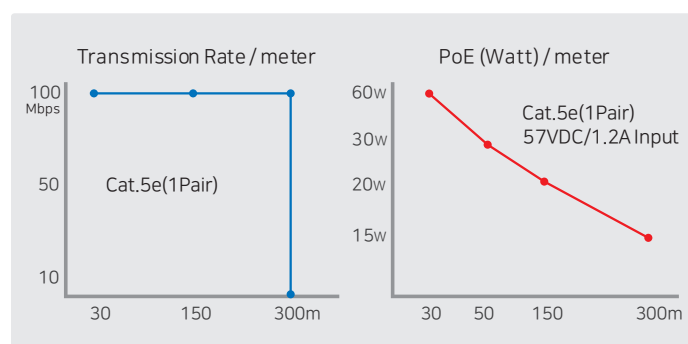
It is cost-effective and time saving solution to migrate existing analog system to IP based system since ETP-01 series support easy installation utilizing the existing UTP bundle cables or any single twisted pair cables.

With long distance transmission feature, the device makes to overcome 100 meters distance limitation easily and reduces the construction cost significantly compared with fiber optic configuration.

Features

- Long reach Ethernet & PoE extension over existing 2-Wire twisted cable
- Data + Power over twisted cable
- Data and PoE distance up to 300 m
- 100Mbps Full Duplex
- PoE, PoE+, Extra PoE (Max. 60W PoE output, ETP-01T model only with DC Power adaptor)
- LED Indication (Data, Power)
- Plug & Play
- Surge Protection
- Support PoE, PoE+ Input (25.5W) from PoE Switch / PoE NVR (ETP-01R model only)
- Slim design

Performance chart



Connection Diagram

