



4MP IP PoE Wired Mini PTZ Security Camera

with AI Detection and 4× Optical Zoom

PRODUCT SPECIFICATIONS

Video

Technology	IP
Resolution/Frame Rate	4MP (2560 × 1440) @ 1-25/30fps
Effective Pixels	H: 2560 × V: 1440
Ultra WDR (Wide Dynamic Range)	Yes
Video Format	NTSC/PAL
Video Compression	H.264H, H.264B, Smart H.265+, H.264, H.265, MJPEG (Sub Stream), Smart H.264+
Termination	RJ45 10/100Mbps Ethernet

Optical

Image Sensor Type	4MP, 1/2.8" CMOS
Horizontal Field of View	96.9°–31.6°
Lens/Lens Type	2.8 mm–12 mm, F1.8–F2.7 / Motorized Varifocal
Optical Zoom	4×
Digital Zoom	Yes ¹

Pan/Tilt Capabilities

Range	Pan: 0° to 355° Tilt: 5° to 90°
Maximum Manual Speed	Pan: 0.1°–70°/s Tilt: 0.1°–30°/s
Maximum Preset Speed	Pan: 0.1°–80°/s Tilt: 0.1°–40°/s
Presets	300
Tours	8, with a maximum of 32 presets per tour

Special Features

AI Detection	Yes (Person, Vehicle)
Privacy Masking	Supports up to 24 areas

Night Vision

IR Night Vision Range	65.62 ft / 20 m
Color Night Vision	Yes



General

Body Material	Aluminum Alloy
Power Requirements	PoE+ (802.3at), 12V DC / 2A ± 10%
Maximum Power Consumption	13W
Storage	MicroSD card (up to 512GB), FTP/SFTP, NAS
Operating Temperature	-22°F to 140°F / -30°C to 60°C
Operating Humidity	<95% RH
Environmental Rating	IP66 (Indoor/Outdoor) ⁴
Net Weight	1.10 lbs / 0.5 kg
Gross Weight	1.54 lbs / 0.7 kg
Audio Input/Output	Input: 1 channel (LINE IN, bare wire) Output: 1 channel (LINE OUT, bare wire)



4MP IP PoE Wired PTZ Mini Security Camera

with AI Detection and 4× Optical Zoom

PACKAGE INFORMATION

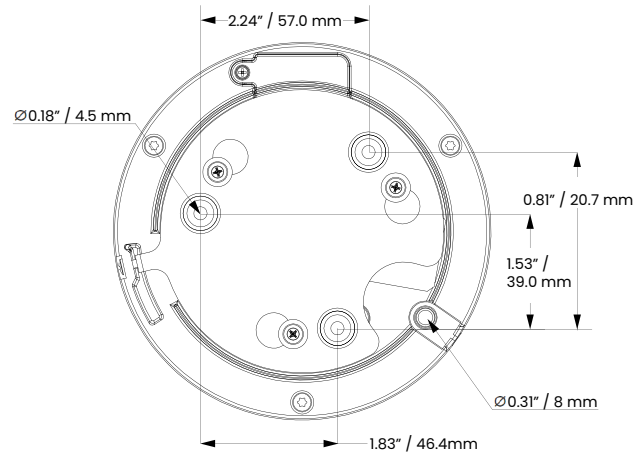
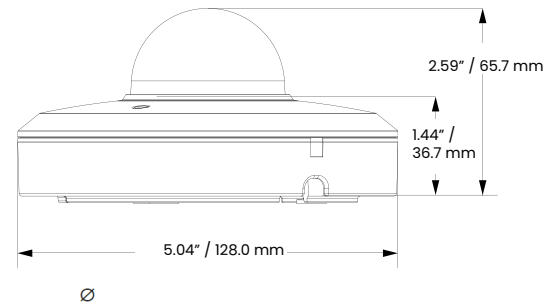
Model	LNZ43P4A
Package Type	Brown Box
Package Weight	1.54 lbs / 0.70 kg
Package Dimensions (W × D × H)	6.14" × 6.14" × 5.39" / 155.96 mm × 155.96 mm × 136.91 mm
Package Cube	0.118 ft ³ / 0.003 m ³
UPC	6-95529-05874-0
Package Contents	<ul style="list-style-type: none">• 4MP 4xZoom IP PoE Wired Mini PTZ Camera• Mounting Plate• Mounting Template• White Rubber Plug• Mounting Screws (3×)• Mounting Anchors (3×)• Weather-Resistant Cap• Instruction Manual (Online) ⁵

COMPATIBILITY

Compatible Recorders	N883 Series, N884 Series ⁶
Required Accessories	Cat5e Ethernet Cable ⁷

PRODUCT DIMENSIONS

Camera (Dia. × H)	∅ 5.04" × 2.59" / 128.0 mm × 65.7 mm
Camera Dome (Dia.)	∅ 2.3" / 58.0 mm
Wall Mount Screw Hole Spacing (W × H)	1.83" × 1.53" / 46.4 mm × 39.0 mm
Camera Cable Entry Hole (Dia.)	∅ 0.31" / 8 mm



Disclaimers:

1. Digital zoom is a function controlled by the connected NVR. For a list of compatible NVRs, visit www.lorex.com/compatibility.
2. Full-color nighttime video will switch to black & white IR night vision below 1 lux to maintain optimal low-light image quality.
3. The stated IR night vision range is based on ideal conditions with typical outdoor nighttime ambient lighting and total darkness. Actual range and image clarity depend on installation location, viewing area, and the light reflection or absorption levels of objects. In low light, the camera will switch to black and white.
4. Not intended for submersion in water. Installation in a sheltered location is recommended.
5. For the online instruction manual on how to install and use this camera, visit <https://help.lorextechnology.com/series/lnz43p4a-series>.
6. Compatible with select Lorex NVRs. For the most up-to-date list of compatible recorders, visit www.lorex.com/compatibility.
7. A Cat5e cable is required to connect to a compatible NVR (not included).

LNZ43P4A
pro.lorex.com

Lorex Corporation
10440 Little Patuxent Parkway, Ste. 300,
Columbia, MD 21044, United States

© 2024 Lorex Corporation
As our product is subject to continuous improvement, Lorex Technology & subsidiaries reserve the right to modify product design, specifications & prices without notice and without incurring any obligation. E&OE.
06192024-1