

## 4MP IP PoE Wired PTZ Security Camera

with AI Detection and 25× Optical Zoom

**P11**  
LNZ45P25

### PRODUCT SPECIFICATIONS

#### Video

Technology	IP
Resolution/Frame Rate	4MP (2560 × 1440) @ 1-25/30fps
Effective Pixels	H: 2560 × V: 1440
Ultra WDR (Wide Dynamic Range)	Yes
Video Format	NTSC/PAL
Video Compression	H.264H, H.264B, Smart H.265+, H.264, H.265, MJPEG (Sub Stream), Smart H.264+
Termination	RJ45 10/100Mbps Ethernet

#### Optical

Image Sensor Type	4MP, 1/2.8" CMOS
Horizontal Field of View	51.9° to 3.0°
Lens/Lens Type	5 mm to 125 mm, F1.6 to F3.6 / Zoom Module

Optical Zoom	25×
Digital Zoom	Yes <sup>1</sup>

#### Pan/Tilt Capabilities

Range	Pan: 0° to 360° endless Tilt: -15° to 90°
Auto Flip	Yes, 180°
Continuous Rotation	Yes
Maximum Manual Speed	Pan: 0.1°-200°/s Tilt: 0.1°-120°/s
Maximum Preset Speed	Pan: 240°/s Tilt: 200°/s
Presets	300
Patterns	5
Tours	8, with a maximum of 32 presets per tour
Other PTZ Functions	Auto Scans, Auto Pan

#### Special Features

AI Detection	Yes (Person, Vehicle)
Privacy Masking	Supports up to 24 areas, with a maximum of 8 areas in a single view



#### Night Vision

IR Night Vision Range	330 ft / 100 m, 850nm <sup>3</sup>
Color Night Vision	Yes

#### General

Body Material	Aluminum Alloy
Power Requirements	PoE+ (802.3at), 12V DC / 3A
Maximum Power Consumption	20W
Storage	MicroSD card (up to 512GB), FTP/SFTP, NAS
Operating Temperature	-40°F to 158°F / -40°C to 70°C
Operating Humidity	<95% RH
Environmental Rating	IP66 (Indoor/Outdoor) <sup>4</sup>
Weight	Camera: 6.61 lbs / 3 kg Camera with Wall Mount: 7.21 lbs / 3.27 kg
Audio Input/Output	Input: 1 channel (LINE IN, bare wire) Output: 1 channel (LINE OUT, bare wire)
Alarm Inputs/Output	Inputs: 2 Output: 1

## 4MP IP PoE Wired PTZ Security Camera

# P11

with AI Detection and 25× Optical Zoom

## LNZ45P25

### PACKAGE INFORMATION

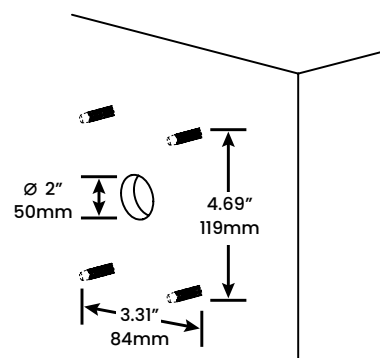
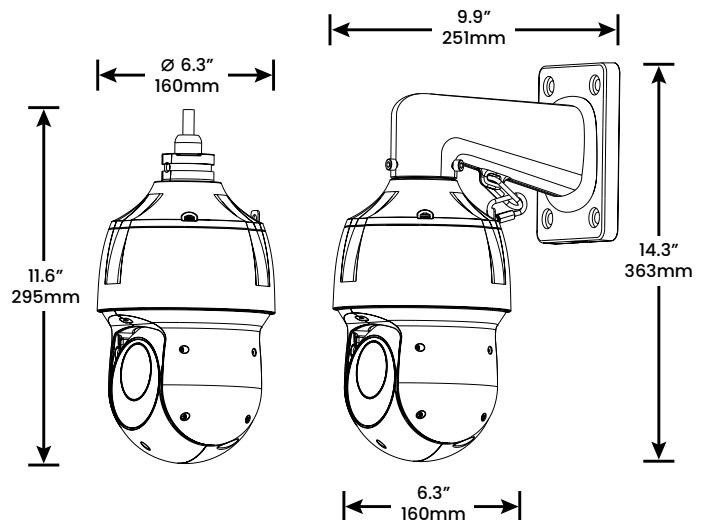
Model	LNZ45P25
Package Type	Brown Box
Package Weight	10.12 lbs / 4.59 kg
Package Dimensions (W × D × H)	8.39 × 8.27 × 16.73 inches / 213.01 × 210.20 × 425.02 mm
Package Cube	0.2406 ft <sup>3</sup> / 0.0068 m <sup>3</sup>
UPC	6-95529-05875-7
Package Contents	<ul style="list-style-type: none"> <li>• 4MP IP PoE Wired PTZ Security Camera</li> <li>• Wall Mount</li> <li>• Rubber Ring</li> <li>• Allen Key</li> <li>• M6 × 14 Screws (3×)</li> <li>• Mounting Anchors, Flat Washers &amp; Screws (5×)</li> <li>• Safety Chain</li> <li>• ESD Gloves</li> <li>• Weather-Resistant Cap</li> <li>• Instruction Manual (Online) <sup>5</sup></li> </ul>

### COMPATIBILITY

Compatible Recorders	N883 Series, N884 Series <sup>6</sup>
Required Accessories	Cat5e Ethernet Cable <sup>7</sup>

### PRODUCT DIMENSIONS

Camera (Dia. × H)	6.3 × 11.6 inches / 160 × 295 mm
Camera with Wall Mount (W × D × H)	6.3 × 9.9 × 14.3 inches / 160 × 251 × 363 mm
Wall Mount Screw Hole Spacing (W × H)	3.31 × 4.69 inches / 84 × 119 mm
Camera Cable Entry Hole (Dia.)	∅ 2" / 50 mm



### Disclaimers:

1. Digital zoom is a function controlled by the connected NVR. For a list of compatible NVRs, visit [www.lorex.com/compatibility](http://www.lorex.com/compatibility).
2. Full-color nighttime video will switch to black & white IR night vision below 1 lux to maintain optimal low-light image quality.
3. The stated IR night vision range is based on ideal conditions with typical outdoor nighttime ambient lighting and total darkness. Actual range and image clarity depend on installation location, viewing area, and the light reflection or absorption levels of objects. In low light, the camera will switch to black and white.
4. Not intended for submersion in water. Installation in a sheltered location is recommended.
5. For the online instruction manual on how to install and use this camera, visit [www.help.lorex.com/LNZ45P25-series](http://www.help.lorex.com/LNZ45P25-series).
6. Compatible with select Lorex NVRs. For the most up-to-date list of compatible recorders, visit [www.lorex.com/compatibility](http://www.lorex.com/compatibility).
7. A Cat5e cable is required to connect to a compatible NVR (not included).